

# MK-ZM6 und MK-ZM7

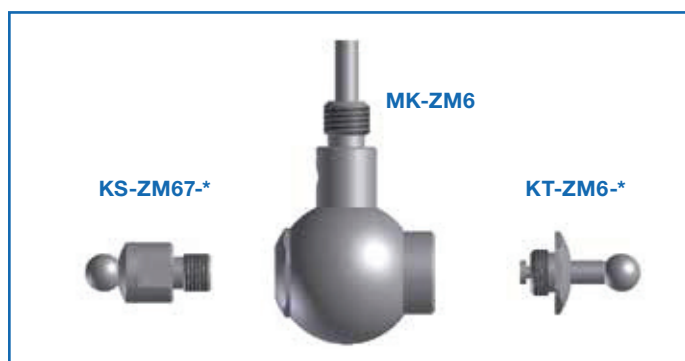
## MK-ZM6 and MK-ZM7

### ZM6

Kugelmaß - Mi Dimension - Mi (mm   metric)	Kugelschraube Ball anvil KS-ZM67-(?)-*				Zwischenstück Extension ZS-*			
26,0 - 29,0	1							
28,5 - 31,5		2						
31,0 - 34,0			3					
33,5 - 36,5				4				
36,0 - 39,0	1				A			
38,5 - 41,5		2			A			
41,0 - 44,0			3		A			
43,5 - 46,5				4	A			
46,0 - 49,0	1					B		
47,0 - 60,0					0			
48,5 - 51,5		2				B		
51,0 - 54,0			3			B		
53,5 - 56,5				4		B		
56,0 - 59,0	1				A	B		
57,0 - 70,0					0	A		
58,5 - 61,5		2			A	B		
61,0 - 64,0			3		A	B		
63,5 - 66,5				4	A	B		
66,0 - 69,0	1						C	
67,0 - 80,0					0	B		
68,5 - 71,5		2					C	
71,0 - 74,0			3				C	
73,5 - 76,5				4			C	
76,0 - 79,0	1				A		C	
77,0 - 90,0					0	A	B	
78,5 - 81,5		2			A		C	
81,0 - 84,0			3		A		C	
83,5 - 86,5				4	A		C	
86,0 - 89,0	1					B	C	
87,0 - 100,0					0		C	
88,5 - 91,5		2				B	C	
91,0 - 94,0			3			B	C	
93,5 - 96,5				4		B	C	
96,0 - 99,0	1				A	B	C	
97,0 - 110,0					0	A	C	
98,5 - 101,5		2			A	B	C	
101,0 - 104,0			3		A	B	C	
103,5 - 106,5				4	A	B	C	
107,0 - 120,0					0	B	C	
117,0 - 130,0					0	A	B	C

### ZM7

Kugelmaß - Mi Dimension - Mi (mm   metric)	Kugelschraube Ball anvil KS-ZM67-(?)-*				Zwischenstück Extension ZS-*			
48,5 - 51,5	1							
51,0 - 54,0		2						
53,5 - 56,5			3					
56,0 - 59,0				4				
58,5 - 61,5	1					A		
61,0 - 64,0		2				A		
63,5 - 66,5			3			A		
66,0 - 69,0				4		A		
68,5 - 71,5	1						B	
70,0 - 83,0					0			
71,0 - 74,0		2					B	
73,5 - 76,5			3				B	
76,0 - 79,0				4			B	
78,5 - 81,5	1					A	B	
80,0 - 93,0					0	A		
81,0 - 84,0		2				A	B	
83,5 - 86,5			3			A	B	
86,0 - 89,0				4		A	B	
88,5 - 91,5	1						C	
90,0 - 103,0					0	B		
91,0 - 94,0		2					C	
93,5 - 96,5			3				C	
96,0 - 99,0				4			C	
98,5 - 101,5	1					A	C	
100,0 - 113,0					0	A	B	
101,0 - 104,0		2				A	C	
103,5 - 106,5			3			A	C	
106,0 - 109,0				4		A	C	
108,5 - 111,5	1						B	C
110,0 - 123,0					0		C	
111,0 - 114,0		2					B	C
113,5 - 116,5			3				B	C
116,0 - 119,0				4			B	C
118,5 - 121,5	1					A	B	C
120,0 - 133,0					0	A	C	
121,0 - 124,0		2				A	B	C
123,5 - 126,5			3			A	B	C
126,0 - 129,0				4		A	B	C
128,5 - 131,5	1							D
130,0 - 143,0					0		B	C
131,0 - 134,0		2						D
133,5 - 136,5			3					D
136,0 - 139,0				4				D
138,5 - 141,5	1					A		D
140,0 - 153,0					0	A	B	C
141,0 - 144,0		2				A		D
143,5 - 146,5			3			A		D
146,0 - 149,0				4		A		D
148,5 - 151,5	1							E
150,0 - 163,0					0			D
151,0 - 154,0		2						E
153,5 - 156,5			3					E
156,0 - 159,0				4				E
158,5 - 161,5	1					A		E



**ZM7**

Kugelmaß - Mi Dimension - Mi (mm   metric)	Kugelschraube Ball anvil KS-ZM67-(?)-*			Zwischenstück Extension ZS-*		
160,0 - 173,0			0	A		D
161,0 - 164,0	2			A		E
163,5 - 166,5		3		A		E
166,0 - 169,0			4	A		E
168,5 - 171,5	1				B	E
170,0 - 183,0			0			E
171,0 - 174,0	2				B	E
173,5 - 176,5		3			B	E
176,0 - 179,0			4		B	E
178,5 - 181,5	1			A	B	E
180,0 - 193,0			0	A		E
181,0 - 184,0	2			A	B	E
183,5 - 186,5		3		A	B	E
186,0 - 189,0			4	A	B	E
188,5 - 191,5	1					C
190,0 - 203,0			0		B	E
191,0 - 194,0	2					C
193,5 - 196,5		3				C
196,0 - 199,0			4			C
198,5 - 201,5	1			A		C
200,0 - 213,0			0	A	B	E
201,0 - 204,0	2			A		C
203,5 - 206,5		3		A		C
206,0 - 209,0			4	A		C
208,5 - 211,5	1				B	C
210,0 - 223,0			0			C
211,0 - 214,0	2				B	C
213,5 - 216,5		3			B	C
216,0 - 219,0			4		B	C
218,5 - 221,5	1			A	B	C
220,0 - 233,0			0	A		C
221,0 - 224,0	2			A	B	C
223,5 - 226,5		3		A	B	C
226,0 - 229,0			4	A	B	C
228,5 - 231,5	1					D
230,0 - 243,0			0		B	C
231,0 - 234,0	2					D
233,5 - 236,5		3				D
236,0 - 239,0			4			D
238,5 - 241,5	1			A		D
240,0 - 253,0			0	A	B	C
241,0 - 244,0	2			A		D
243,5 - 246,5		3		A		D
246,0 - 249,0			4	A		D
248,5 - 251,5	1				B	D
250,0 - 263,0			0			D
251,0 - 254,0	2				B	D
253,5 - 256,5		3			B	D
256,0 - 259,0			4		B	D
258,5 - 261,5	1			A	B	D
260,0 - 273,0			0	A		D
261,0 - 264,0	2			A	B	D
263,5 - 266,5		3		A	B	D
266,0 - 269,0			4	A	B	D

**ZM7**

Kugelmaß - Mi Dimension - Mi (mm   metric)	Kugelschraube Ball anvil KS-ZM67-(?)-*			Zwischenstück Extension ZS-*		
268,5 - 271,5	1					C
270,0 - 283,0			0		B	D
271,0 - 274,0	2					C
273,5 - 276,5		3				C
276,0 - 279,0			4			C
278,5 - 281,5	1			A		C
280,0 - 293,0			0	A	B	D
281,0 - 284,0	2			A		C
283,5 - 286,5		3		A		C
286,0 - 289,0			4	A		C
288,5 - 291,5	1				B	C
290,0 - 303,0			0			C
291,0 - 294,0	2				B	C
293,5 - 296,5		3			B	C
296,0 - 299,0			4		B	C
298,5 - 301,5	1			A	B	C
300,0 - 313,0			0	A		C
301,0 - 304,0	2			A	B	C
303,5 - 306,5		3		A	B	C
306,0 - 309,0			4	A	B	C
310,0 - 323,0			0		B	C
320,0 - 333,0			0	A	B	C

**Beispiele / Examples**

a) Mi=48 mm, Kugel/ball-Ø = 6,000 mm

Für/for Mi=48,0 - 49,0 mm benötigt man / you require:

- **MK-ZM-6** Messkopf / Gauge Head
- Kugeltaster / Ball Plunger
- **KT-ZM-6-6,000** (Kugel / ball-Ø)
- Kugelschraube / Ball Anvil
- **KS-ZM-67-1-6,000** (Kugel / ball-Ø)
- **ZS-B** Zwischenstück / Extension

b) Mi=192 mm, Kugel/ball-Ø = 9,000 mm

Für/for Mi=191,0 - 194,0 mm benötigt man / you require:

- **MK-ZM-7** Meßkopf / Gauge Head
- Kugeltaster / Ball Plunger
- **KT-ZM-7-9,000** (Kugel/ball-Ø)
- Kugelschraube / Ball Anvil
- **KS-ZM-67-2-9,000** (Kugel/ball-Ø)
- Zwischenstück / Extension **ZS-C & ZS-E-Plus**

